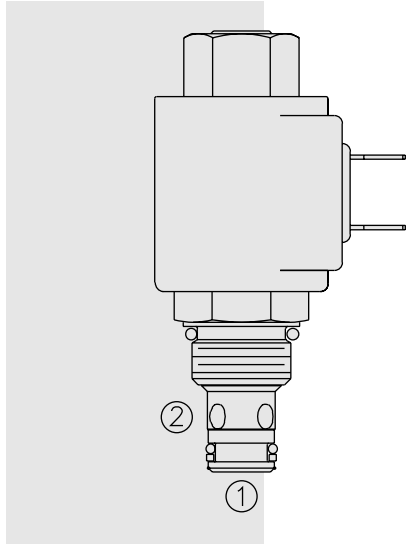


SOLENOID VALVES

SV08-23 Poppet, 2-Way, Normally Open



DESCRIPTION

A solenoid-operated, 2-way, poppet-type, normally open, screw-in, hydraulic cartridge valve designed for low leakage in load-holding applications.

OPERATION

When de-energized, the **SV08-23** poppet lifts to open flow from ② to ①. Flow is also open from ① to ②.

When energized, the cartridge acts as a check valve, allowing flow from ① to ②, while blocking flow from ② to ① after overcoming the solenoid force (requires 3.4 to 10.3 bar [50 to 150 psi]).

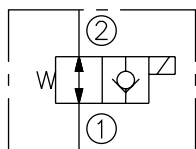
Operation of Manual Override Option: To override, push and hold override button.

FEATURES

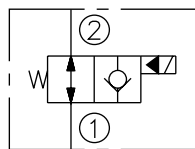
- Continuous-duty rated solenoid.
- Hardened seat for long life and low leakage.
- Optional coil voltages and terminations.
- Efficient wet-armature construction.
- Cartridges are voltage interchangeable.
- Unitized, molded coil design.
- Manual override option.
- Optional waterproof E-Coils rated up to IP69K.
- Industry common cavity.
- Compact size.

SYMBOLS

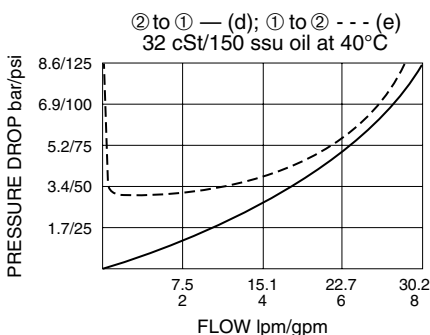
USASI:



ISO:



PERFORMANCE (Cartridge Only)



RATINGS

Operating Pressure: 207 bar (3000 psi)

Flow: See Performance Chart

Internal Leakage: 0.15 cc/minute (3 drops/minute) max. at 207 bar (3000 psi)

Temperature: -40 to 120°C with standard Buna seals

Coil Duty Rating: Continuous from 85% to 115% of nominal voltage

Response Time: First indication of change of state with 100% voltage supplied at 80% of nominal flow rating: Energized: 30 msec.; De-energized: 60 msec.

Initial Coil Current Draw at 20°C: Standard Coil: 1.2 amps at 12 VDC; 0.13 amps at 115 VAC (full wave rectified). E-Coil: 1.4 amps at 12 VDC; 0.7 amps at 24 VDC

Minimum Pull-in Voltage: 85% of nominal at 207 bar (3000 psi)

Filtration: See page 9.010.1

Fluids: Mineral-based or synthetics with lubricating properties at viscosities of 7.4 to 420 cSt (50 to 2000 ssu)

Installation: No restrictions; See page 9.020.1

Cavity: VC08-2; See page 9.108.1

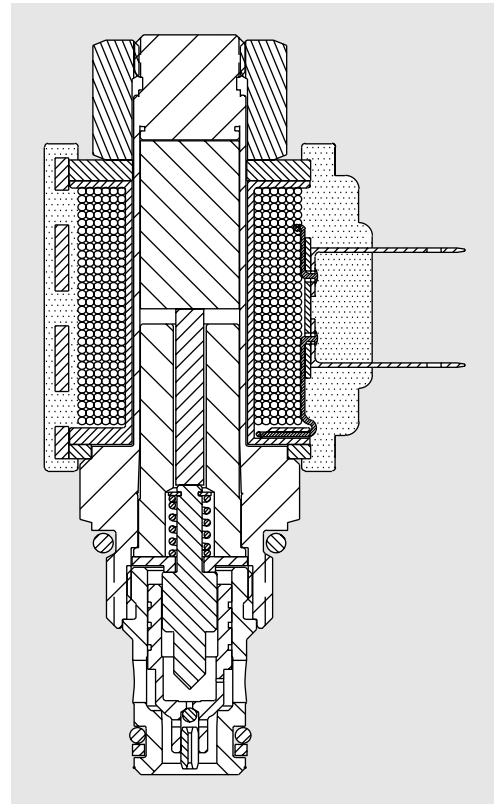
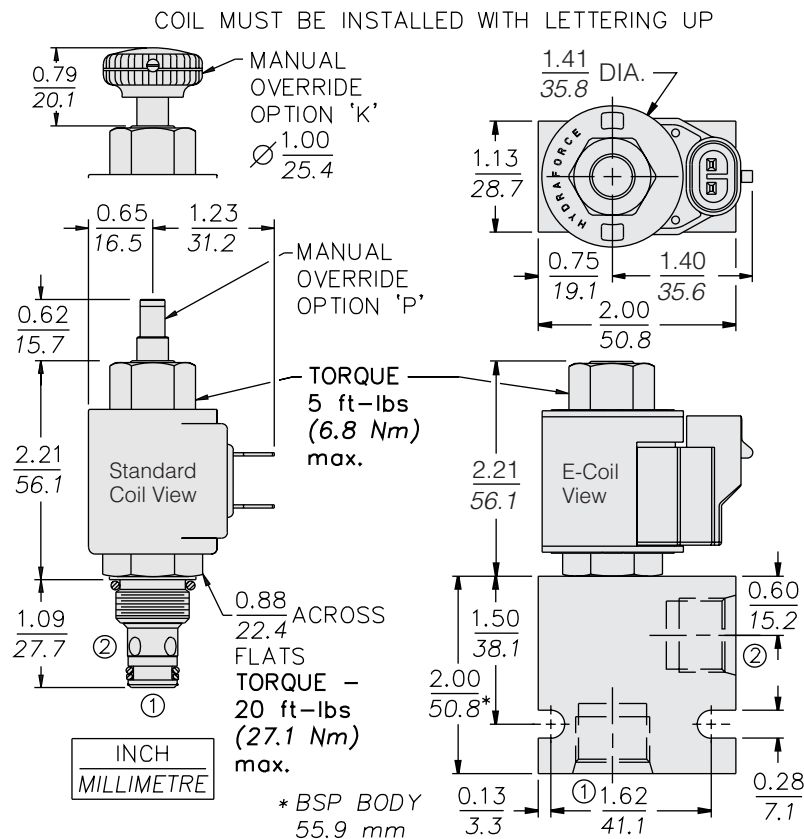
Cavity Tool: CT08-2XX; See page 8.600.1

Seal Kit: SK08-2X-T; See page 8.650.1

Coil Nut: Part No. 7004410;

For E-coils manufactured prior to 1-1-04, see page 3.400.1 for coil nut info.

DIMENSIONS



MATERIALS

Cartridge: Weight: 0.09 kg. (0.20 lbs.); Steel with hardened work surfaces. Zinc-plated exposed surfaces; Buna N O-rings and back-up standard.

Standard Ported Body: Weight: 0.16 kg. (0.35 lbs.); Anodized high-strength 6061 T6 aluminum alloy, rated to 240 bar (3500 psi); See page 8.008.1. Ductile iron and steel bodies available; consult factory.

Standard Coil: Weight: 0.11 kg. (0.25 lbs.); Unitized thermoplastic encapsulated, Class H high temperature magnetwire; See page 3.200.1.

E-Coil: Weight: 0.14 kg. (0.3 lbs.); Fully encapsulated with rugged external metal shell; Rated up to IP69K with integral connectors; **Note: See page 3.400.1 for all E-Coil retrofit applications.**

TO ORDER

SV08-23

Option		Voltage		Termination (VDC)	
None (Blank)		Std. Coil		Std. Coil	
Screen	S	0	Less Coil**	DS	Dual Spades
Manual Override without Knob	P	10	10 VDC†	DG	DIN 43650
Manual Override with Knob	K	12	12 VDC	DL	Leadwires (2)
		24	24 VDC	DL/W	Leads w/Weatherpak® Connectors
		36	36 VDC	DR	Deutsch DT04-2P
Porting		48	48 VDC		Termination (VAC)
Cartridge Only	0	24	24 VAC		Std. Coil
SAE 4	4T	115	115 VAC	AG	DIN 43650
SAE 6	6T	230	230 VAC	AP	1/2 in. Conduit
SAE 8	8T				Termination (VDC)
1/4 in. BSP*	2B				E-Coil
3/8 in. BSP*	3B	10	10 VDC	ER	Deutsch DT04-2P (IP69K Rated)
1/2 in. BSP*	4B	12	12 VDC	EY	Metri-Pack® 150 (IP69K Rated)
*BSP Body; U.K. Mfr. Only		20	20 VDC		
		24	24 VDC		
Seals					Coils with internal diode are available. Consult factory.
Buna N (Std.)	N				
Fluorocarbon	V				